

### Warning!

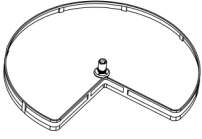







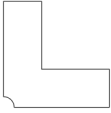


Be sure to read and fully understand this document before installing, operating, your Stazz product. Failure to do so can result in item failure, property damage, or serious injury. Item failure, injury or property damage due to improper installation is not covered by warranty.

**MAXIMIZE SPACE,  
MINIMIZE EFFORT.**

## Part List

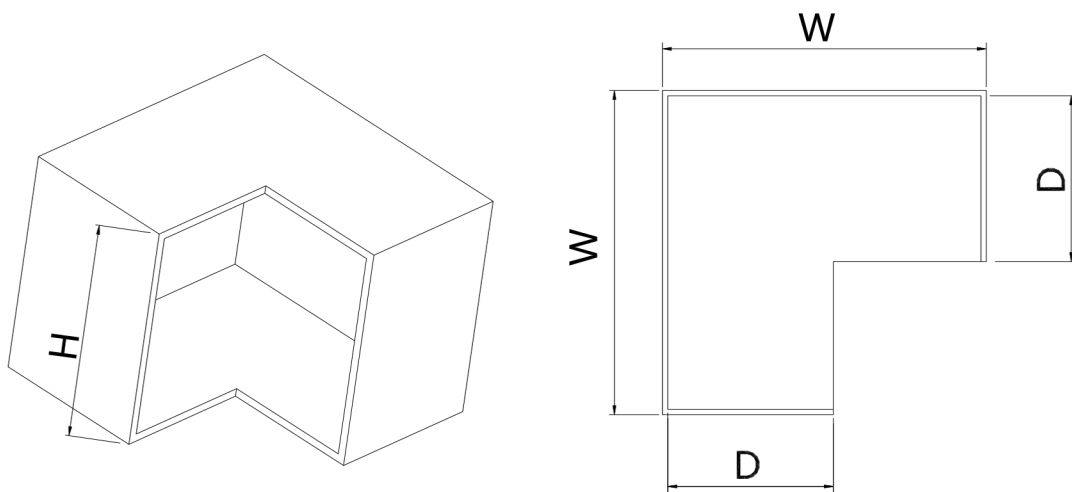
Please check the accessories list before installing.

<p>A 2pcs</p> 	<p>B 1pcs</p> 	<p>C 2pcs</p> 
<p>D 1pcs</p> 	<p>E 1pcs</p> 	<p>F 6pcs</p> 
<p>G 2pcs</p> 	<p>H 2pcs</p> 	<p>I 1pcs</p> 

## Cabinet Size

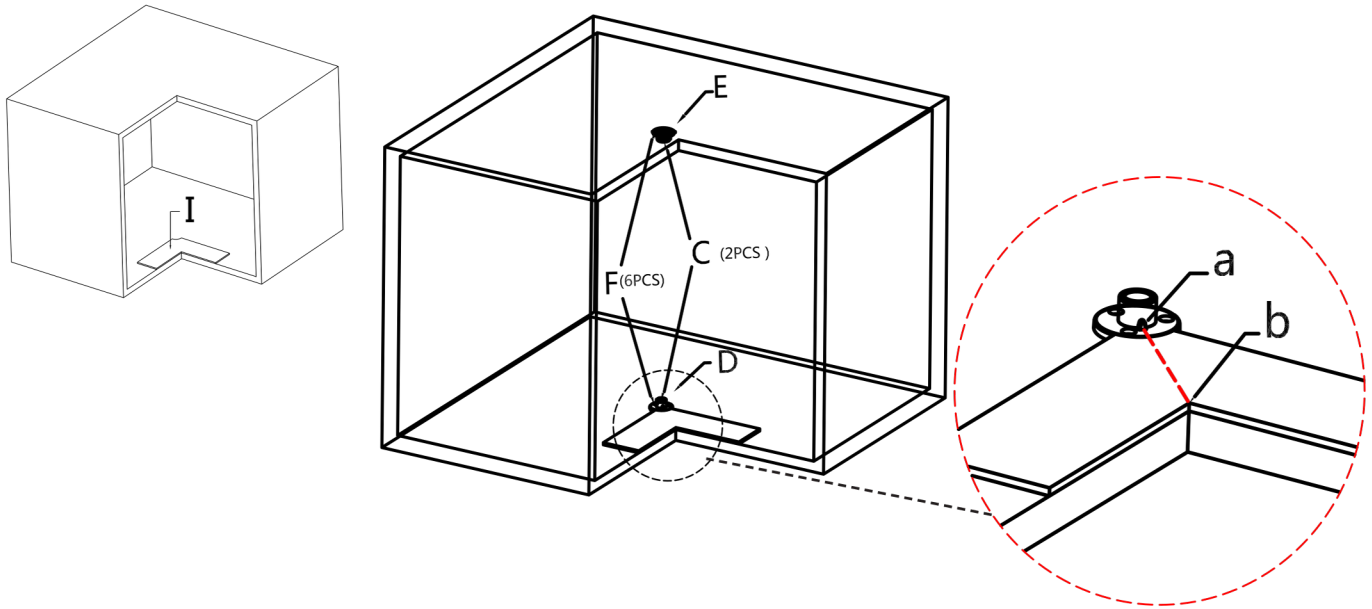
Cabinet size requirements: Please ensure proper cabinet size before installation.

Cabinet Size	Depth (D)	Width (W)	Height (H)
900-1,000	≥500	900-1,000	600-750



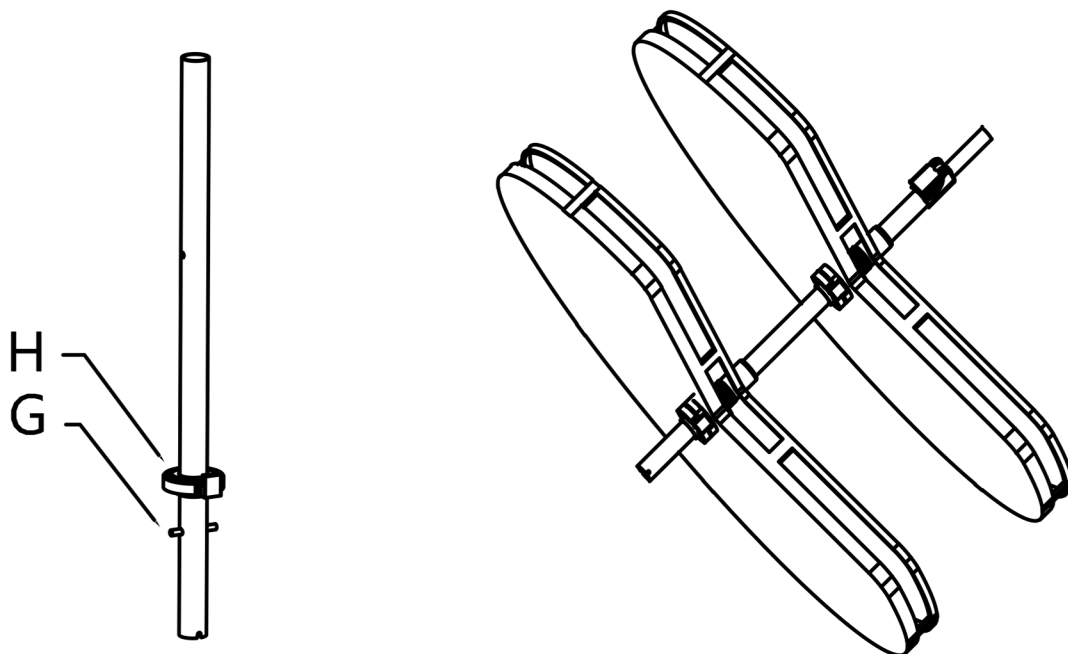
## STEP 1 - Align paper pattern to edge.

Align the paper pattern to the edge of cabinet as illustrated below left. Then fasten parts D and E as illustrated below centre. Please note that part D must align with the paper patter as indicarted below left (A & B).



## STEP 2 - Assemble shaft and shelves.

Fasten the part (H) onto the shaft of part B (left image). Then lower the part (A) onto the part (H) and repeat for the second H & A to complete as per the right-hand image.



### STEP 3 - Install the unit into cabinet

Install the shelving unit A, B & H onto the D & E clips mounted in the shelf.

